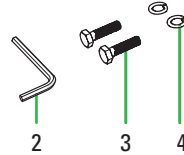
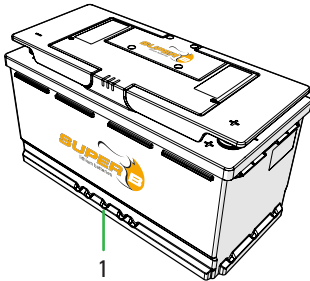


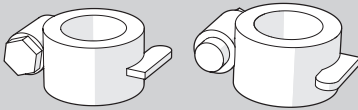


QUICK START GUIDE

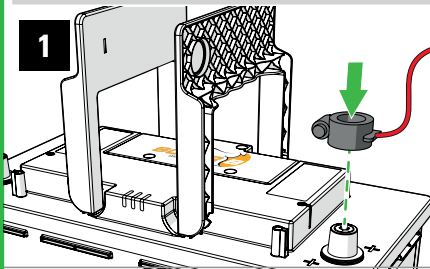
EPSILON SERIES 12V90Ah



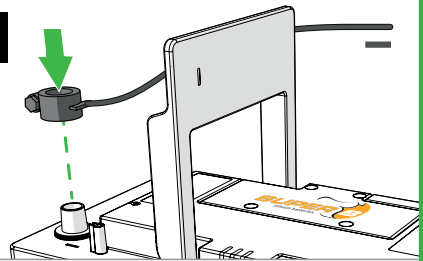
A



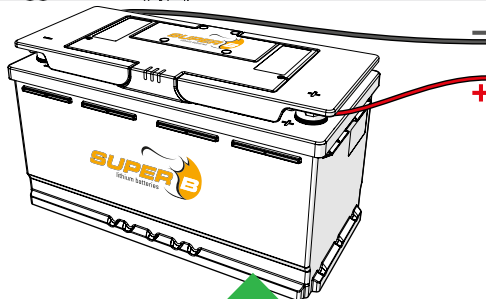
1

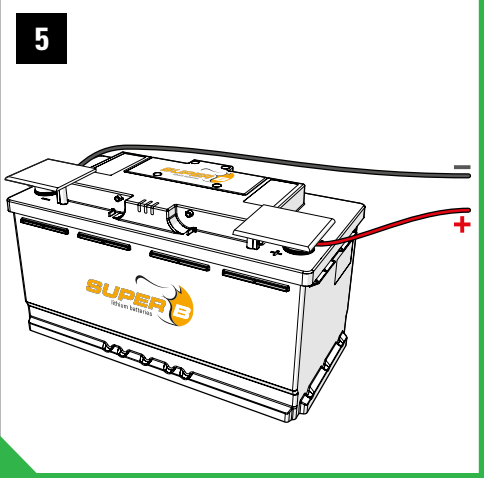
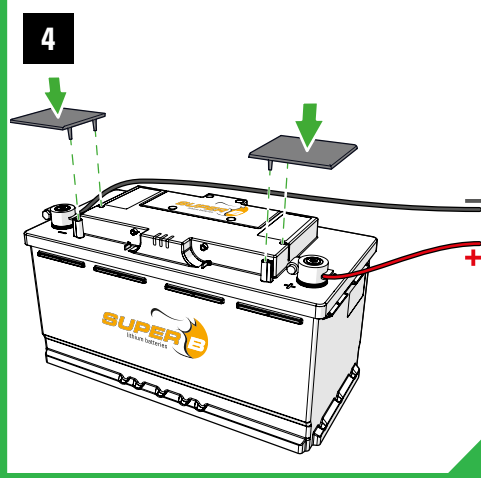
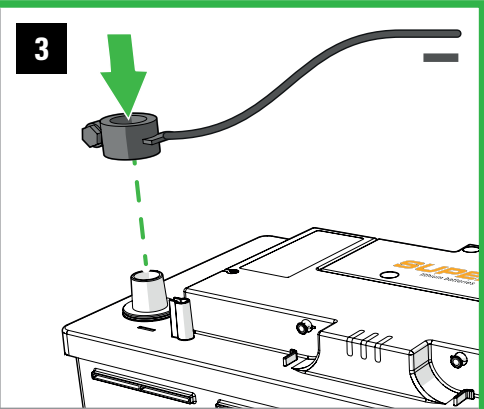
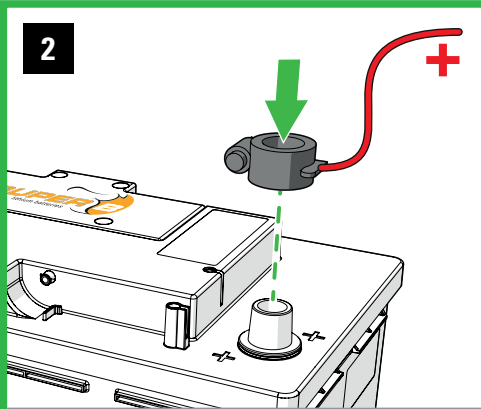
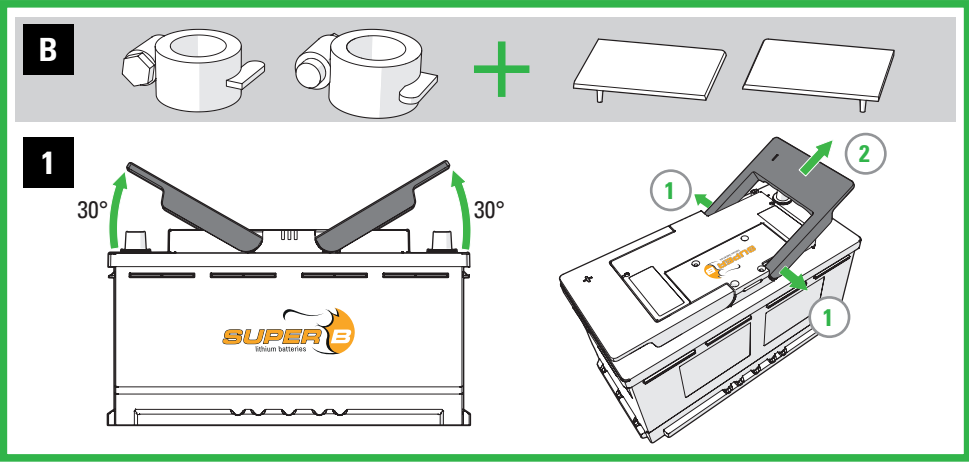


2



3

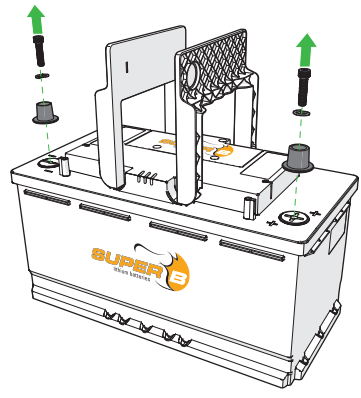




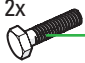
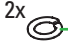

C

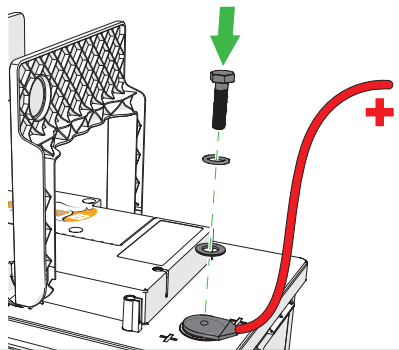


1

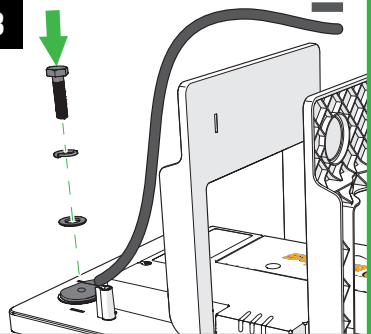


2

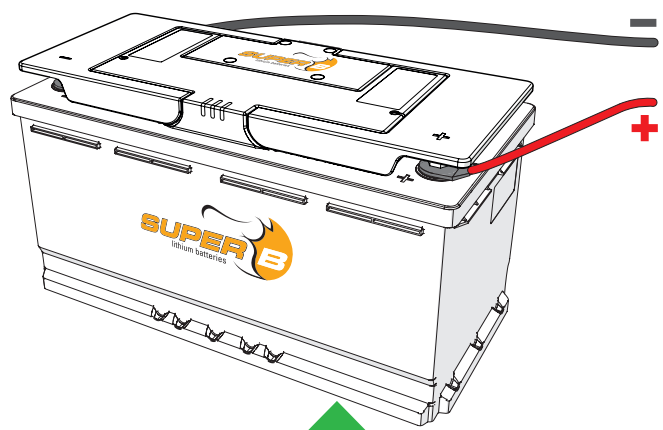
- 2x  3
- 2x  4
- 2x 

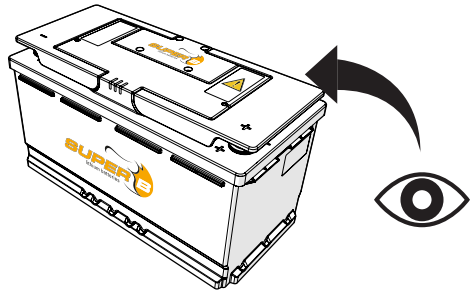
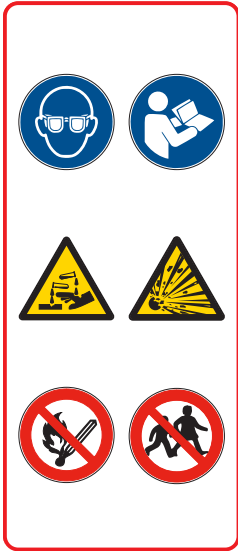
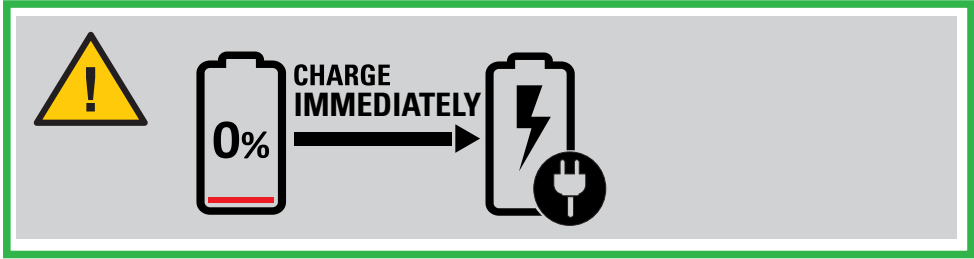


3



4






 Download User Manual at:
www.super-b.com

Version 1.1



Demmersweg 3
 7556 BN Hengelo (Ov)
 The Netherlands
 T+31(0)88 00 76 000

Contact us
info@super-b.com

Visit our website
www.super-b.com



Download our App
 BelnCharge

